

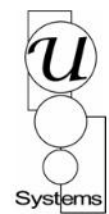
USpace 6250 Wall Box FLAT PACK ASSEMBLY INSTRUCTIONS



WHEN FITTING CAM TO THE LOCK
ENSURE THE CAM IS AT '3 O'CLOCK'
(POINTING TOWARDS THE GLASS
WHEN LOOKING FROM THE
REAR OF THE DOOR)

AT THE SAME TIME - ENSURE WHEN LOOKING AT THE FRONT OF THE DOOR, THAT THE
KEY IS IN THE 12 O'CLOCK POSITION (WITH THE FLAT SIDE AT THE BOTTOM) AND THEN
TIGHTEN THE SCREW ON THE BACK OF THE LOCK & CAM



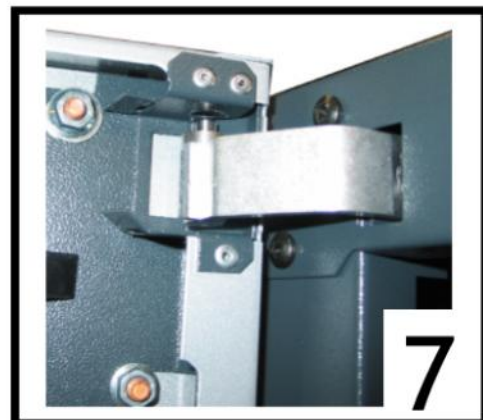
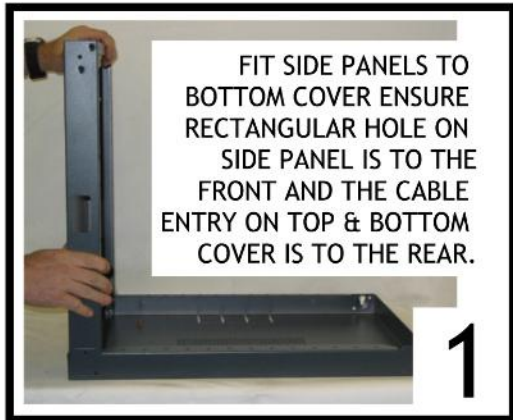


USpace 6250 Wall Box

FLAT PACK ASSEMBLY INSTRUCTIONS



NB:
 WALL BOX IS PRE-CONFIGURED TO LEFT HAND HINGE
 PLEASE CONSULT WITH SUPPLIER IF YOU REQUIRE RIGHT HAND.



SEE REVERSE FOR LOCK AND CAM FITTING INSTRUCTIONS