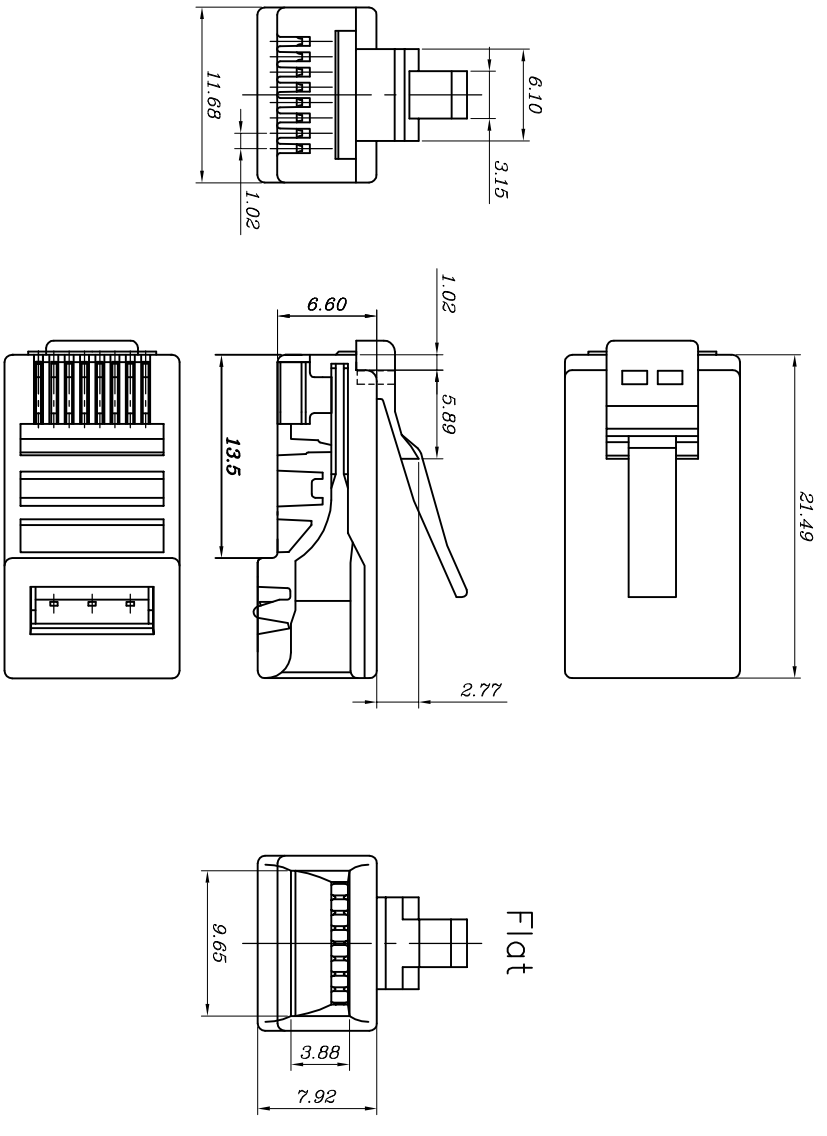


REV	DATE	MODIFICATION	DRAWN
	2011/11/04		

SPECIFICATIONS

1. ELECTRICAL:
 - UL APPLICATIONS: 250 VOLTS AC MAX., AT 2 AMPS.
 - DIELECTRIC WITHSTANDING VOLTAGE: 1000 VOLTS AC.
 - INSULATION RESISTANCE: 100 M Ω.
 - TERMINATION: RESISTANCE 20m Ω MAX AFTER ENVIRONMENTAL TESTING.
2. MECHANICAL:
 - CABLE-TO-PLUG TENSILE STRENGTH: 20POUND MIN.
 - DURABILITY: 200 MATING CYCLES.
3. MATERIAL & FINISH:
 - HOUSING: POLYCARBONATE UL 94V-0 OR UL 94V-2.
 - COLOR: TRANSPARENT OR OTHER COLOR ARE AVAILABLE.
 - CONTACT BLADE: COPPER ALLOY.
 - CONDUCTOR: ONLY FOR STRANDED CABLE. 24AWG, 26 AWG. (It can be used for the wire OD from 0.96-01.02)
 - GOLD PLATING: 50u"
4. Operation temperature: -40°C ~ 70°C

Flat



ITEM: 22 2101

BLADE:	EB
Drawing	
Mark	✓
CABLE TYPE	ROUND
Mark	✓
	FLAT



DIMENSION IN mm (Inch)		MATERIAL	DWG NO.
TOLERANCE UNLESS OTHERWISE SPECIFIED		PC	PLUG-060
.X±0.20	.X°±5°	TITLE	22 2101
.XX±0.10	.XX°±2°	DRAWN	Cathyli
APPROVAL	CHECKED	SCALE	SHEET
		2/1	1/1
		PROJ.	REV
			J

6 ST-DR-009A 7