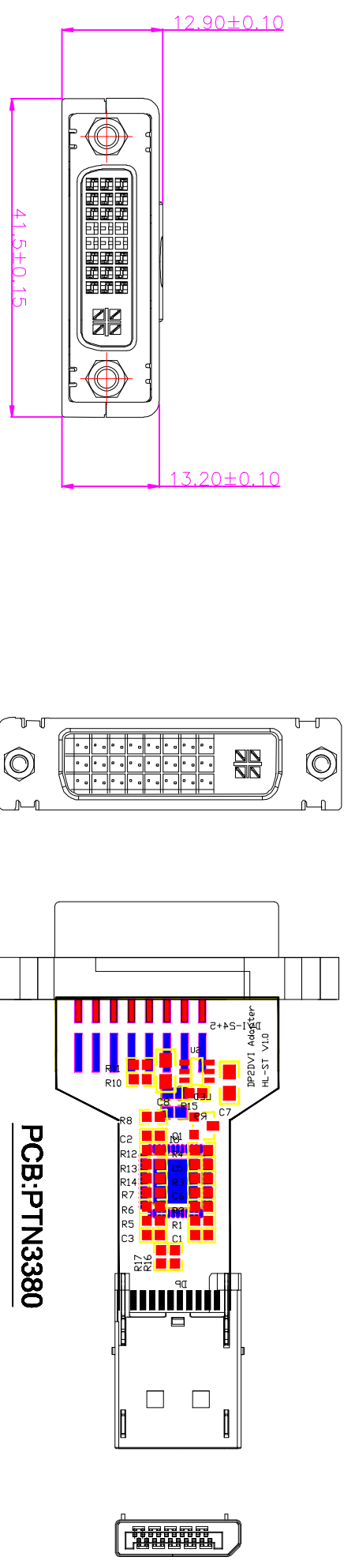
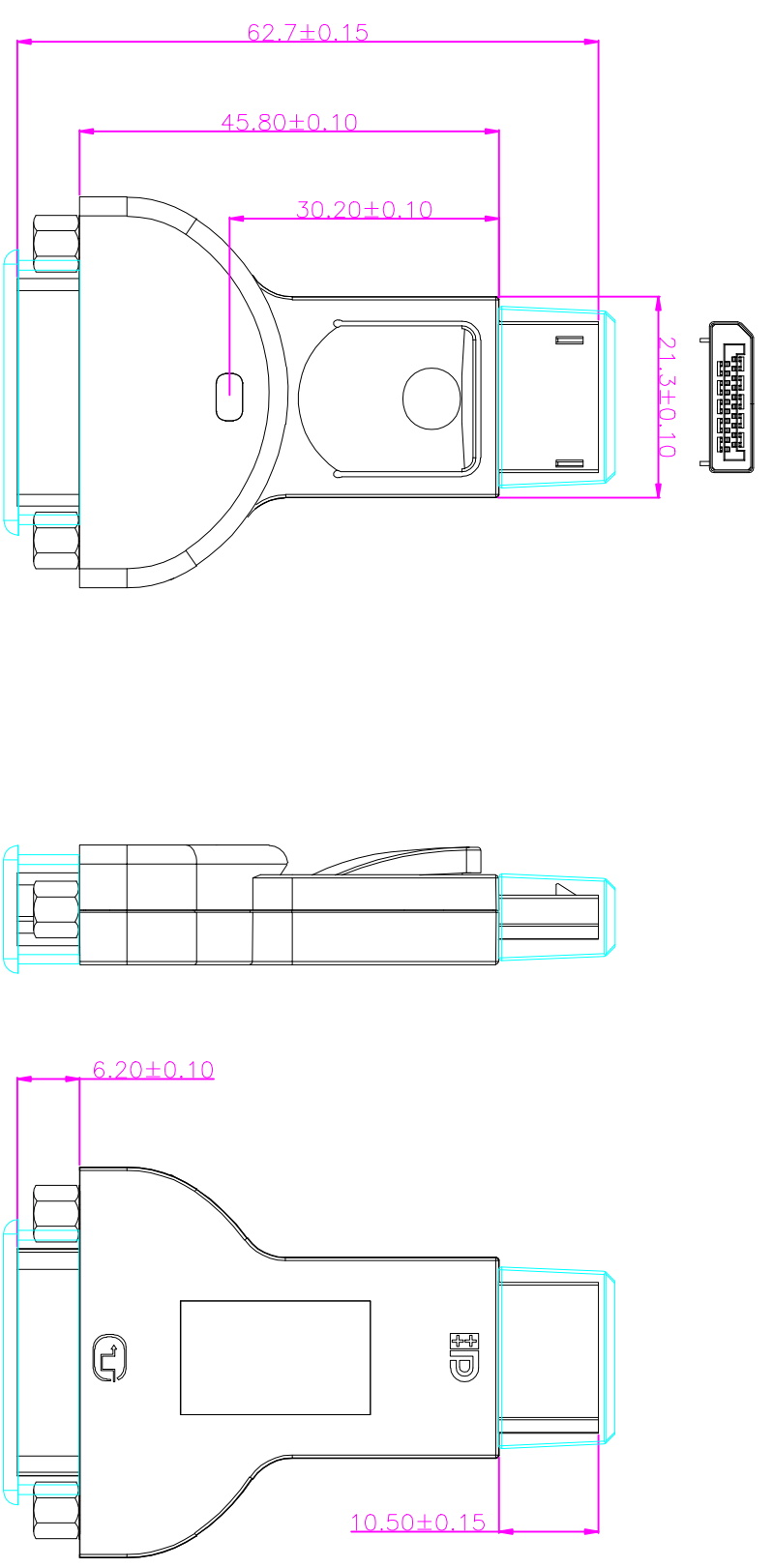


RevNo	Revision note	Date	Signature	Checked



PCB:PTN3380

④	DUST CUP	LDPE DUST CUP FOR DVI FEMALE	1	PCS
③	DUST CUP	LDPE DUST CUP FOR DP MALE	1	PCS
②	COVER	COVER FOR DP TO DVI ADAPTER, BLACK	1	PCS
①	PCB'A	DP/(HOOK TYPE) TO DVI24+5/F ADAPTER WITH PCB'A(NXP), THE SHELL FOR GOLD PLATING	2000	MM
NO.	MATERIAL	DESCRIPTIONG	QTY.	UNIT

Ltref	Quantity	Title/Name, designation, material, dimension etc		Article No./Reference
Designed by	Checked by	Approved by - date	File name	Date
		SEP 13.2013	DP/M-DVI/F ADAPTER	SEP 13.2013
ANGLE:			DP/(HOOK TYPE) TO DVI/F ADAPTER	
UNIT:MM			24_0200	Edition 1
				Sheet 1/1