

Technical requirement 技术参数 :

1. Electrical Characteristics Test 电气性能检验

- 1.1 Products 100% for electrical test. 成品100%电性测试.
- 1.2 Insulation resistance: No less than 100MΩ of 500V DC/0.4S.
绝缘阻抗: 大于或等于100MΩ 500V DC/0.4S.
- 1.3 Dielectric strength 耐电压
 - 1.3.1 Between two conductors 2500^{+200}_0 V AC for 1.0s Trip-current 1.0mA max.
导体与导体之间 2500^{+200}_0 V AC /1秒, 漏电流1.0mA(max).
 - 1.3.2 Between conductor and body 4000^{+200}_0 V AC for 1.0s - Trip current 1.0mA max.
导体与本体之间 4000^{+200}_0 V AC /1秒, 漏电流1.0mA(max).

2. Mechanical Characteristics Test 机械性能检验

- 2.1. Withdrawal force 拔出力
 - 2.1.1 For checking each PIN independently from the standard-gauge below 2.0N(Min) Keep for 3S or more.
标准量规对连接器插孔单PIN保持力为最小2.0N保持3秒以上.
 - 2.1.2 For checking Integral withdrawal force 60N(Max) from maximum standard gauge. 标准量规(最大值)检查整体拔出力 60N(最大).

3. Finished product conditions 成品状态

- 3.1 The attachment plug front show the test mark of "T".
插头主视面须有测试标志"T".
- 3.2 The dimension with "X" must be control and inspected importantly.
带"X"尺寸需重点管控和检验.
- 3.3 The dimension with " * " is for safty size .
带" * "尺寸为安规尺寸.

4. Standards 标准

- 4.1 The cord shall comply with VDE 0281-5 ,HD21.5.IEC60227
线材符合VDE 0281-5 ,HD21.5 IEC60227
- 4.2 The plug and connector shall comply with IEC60320
插头和连接器须符合 IEC60320;

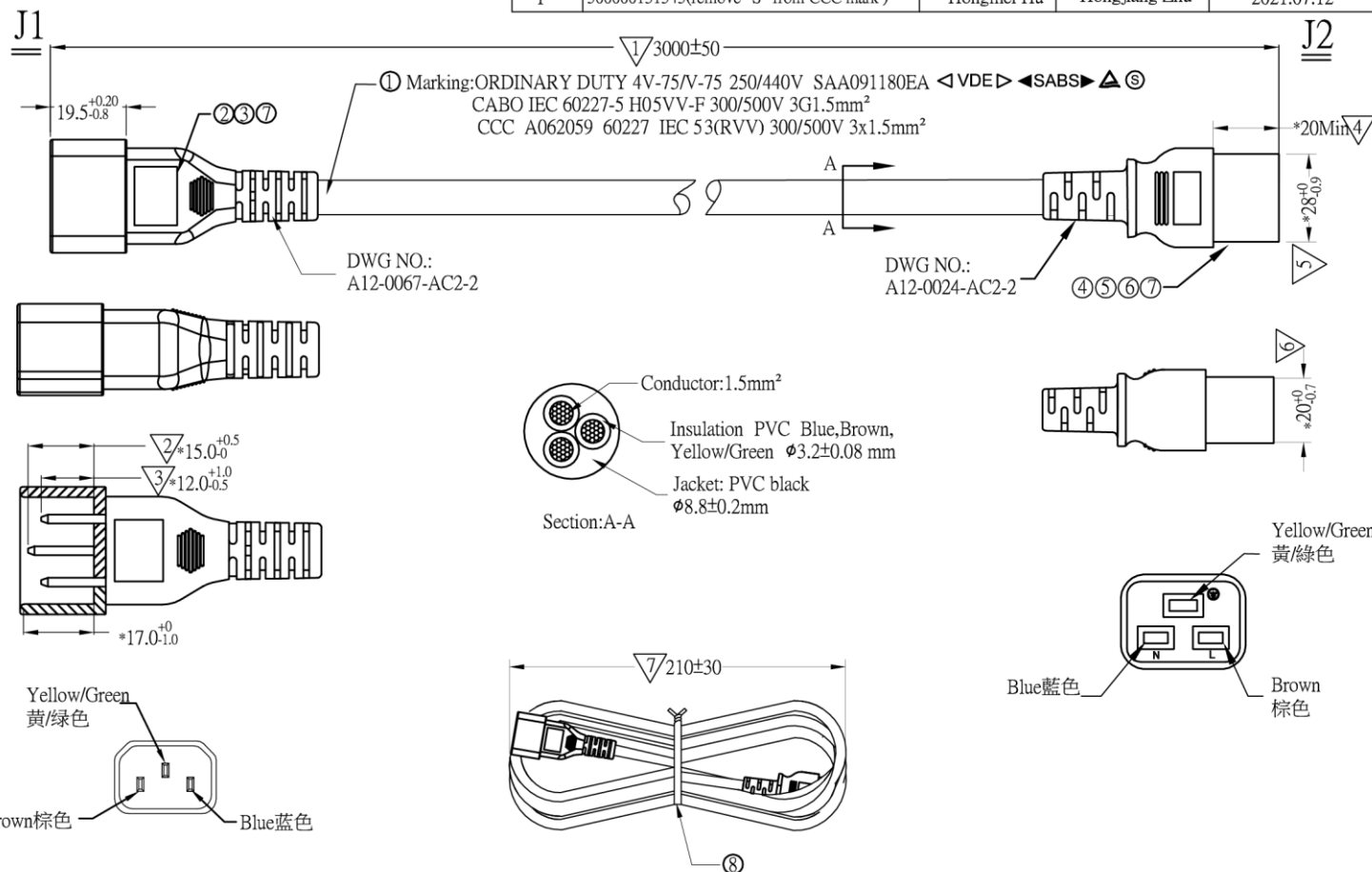
5. Environmental requirement 环保要求

- 5.1 Material and product comply with Doc No."QW-Q-043" 《material-and product- of restricted substance control specification.
物料及成品必须符合QW-Q-043 《材料与成品限用物质管理规范》.

Wiring method 接线方式 :

- J1 cord J2
- E — Yellow/Green 黄/绿 — E
- L — Brown 棕色 — L
- N — Blue 蓝色 — N

REV.	DESCRIPTION	DESIGN	APPROVAL	DATE
D	ECN19-0000002674(C14&C19修改模具图)	Xiang Deng	XL DENG	2019.01.18
E	ECN19-0000004464(C14修改模具图)	Xiang Deng	XL DENG	2019.02.15
F	500000131545(remove "S" from CCC mark)	Hongmei Hu	Hongjiang Zhu	2021.07.12



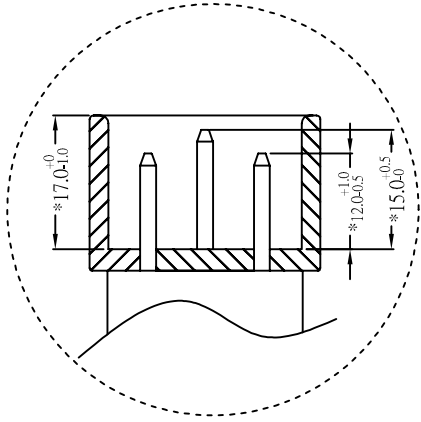
ITEM	NAME	DESCRIPTION	Q'TY	UNIT
⑧	TIE	Black PE tie hanking cord and meeting RoHS.	PCS	1
⑦	PLASTIC	55P black PVC pellets meeting RoHS and UL94 V-0.	KG	1
⑥	TERMINAL	2X5U type contact terminal with wing for C19 connector,	PCS	3
⑤	HOUSING	Down cover of C19 , PBT material, black	PCS	1
④	HOUSING	Upper cover of C19 , PBT material, black	PCS	1
③	HOLDER	Holder , PBT material, black.	PCS	1
②	BLADE	Blade 2x4mm, copper,nickel-plated	PCS	3
①	POWER CORD	H05VV-F 3G1.5mm2,black.	MM	NA

X.±	X.°±
.X±	.X°±
.XX±	.XX°±
.XXX±	.XXX°±
UNITS	mm

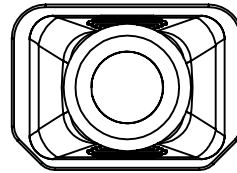
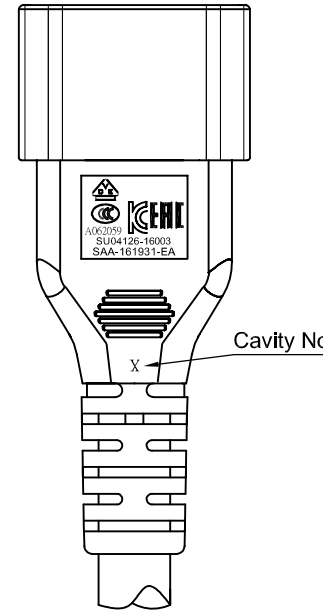
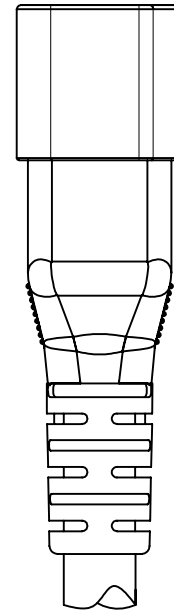
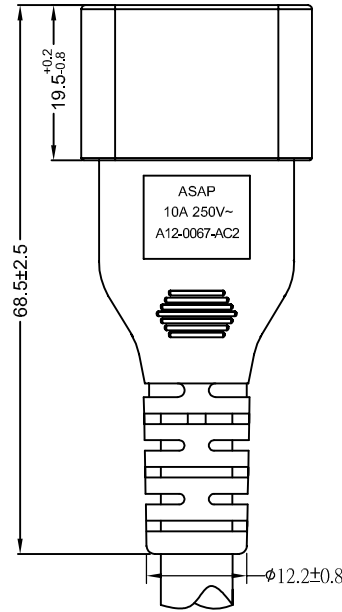
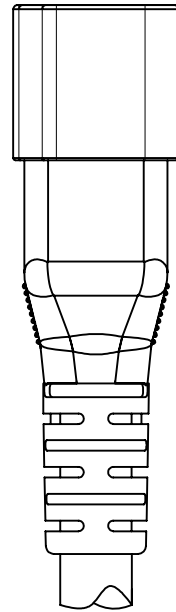
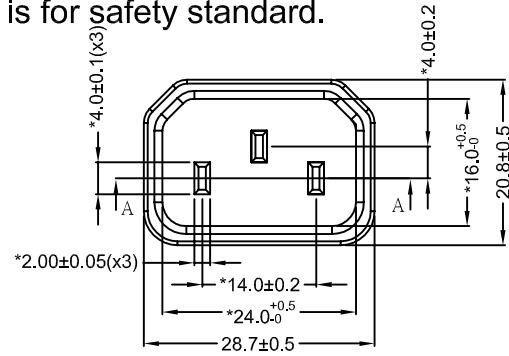
<h1 style="text-align: center;">P/N:42-2973</h1>		PART NO: L8CAC032-QT-N		TITLE: VDE C14 To C19 L3.0m black	
		APPD: Hongjiang Zhu		DWG NO: ACRDN15030049-002	
CHKD: Guangren Ouyang		DRAW: Hongmei Hu		SCALE	SHEET
				NONE	1/1
				REV.	F

NOTE:
 Technical Requirement: The dimension with " * " is for safety standard.

REV.	DESCRIPTION	DESIGN	APPROVAL	DATE
A	NEW	FG HU	QS LIU	2020.02.26



section A-A



ASAP
 10A 250V~
 A12-0067-AC2



注意变更

Marking

X. :±0.6	X.° :±1°	DWG TYPE: PRODUCT DRAWING	TITLE: CCC/VDE C14		
.X :±0.4	.X° :±0.6°				
.XX:±0.10	.XX°:±0.3°	MOUID NO: AC-C0067-x	DWG NO: A12-0067-AC2-2		
UNITS	mm	APPD: 欧阳光仁			
		CHKD: 刘秋顺	SCALE	SHEET	REV.
		DRAW: 刘景			

NO.	SPECIFICATION	Remark
1	H05VV-F 3×1.5mm ² Ø8.8mm	Round Cable

8

7

6

5

4

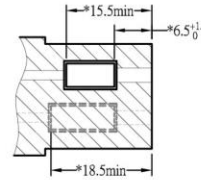
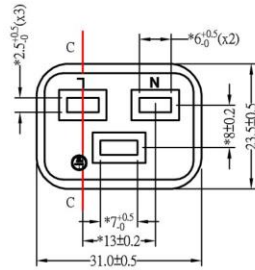
3

2

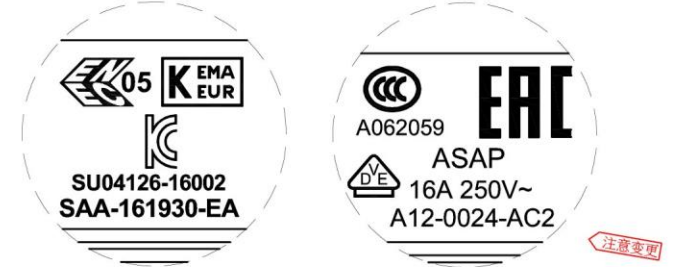
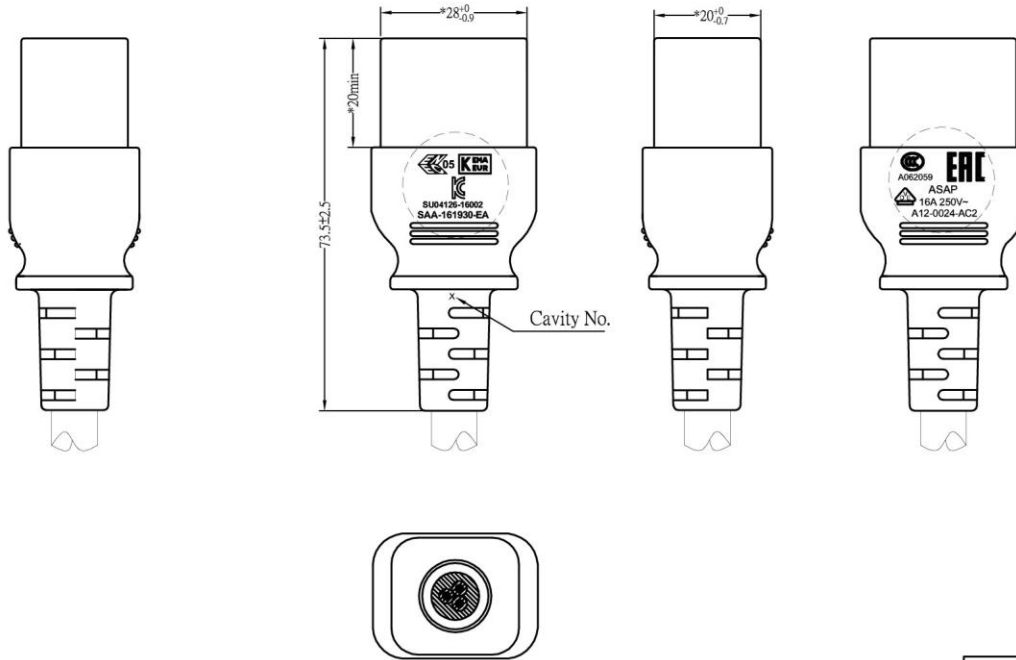
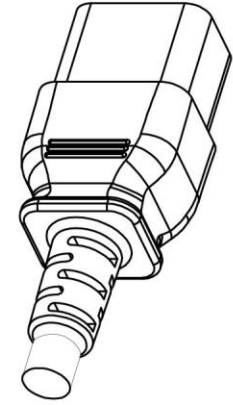
1

NOTE:
 Technical Requirement: The dimension with " * " is for safety standard.

REV.	DESCRIPTION	DESIGN	APPROVAL	DATE
A	NEW	Mark Chen	QS LIU	2019.04.09
B	端面增加倒R角	FG HU	QS LIU	2020.05.14



SECTION C-C



Marking 2.5:1

1	H05VV-F 3*1.5 OD:8.8	Round Cable
NO.	SPECIFICATION	Remark

X. :±0.6	X.° :±1°	DWG TYPE: PRODUCT DRAWING	TITLE: C19 Connector			
.X :±0.4	.X° :±0.6°					
.XX:±0.10	.XX°:±0.3°	MOUID NO: AC-C0024-x	DWG NO: A12-0024-AC2-2			
UNITS	mm	APPD:朱红江				
		CHKD:刘秋顺		SCALE	SHEET	REV.
		DRAW:Make chen		NONE	1/1	B